



**PRICE LIST 2025 Q1 EURO**

**MA50 / PA50**

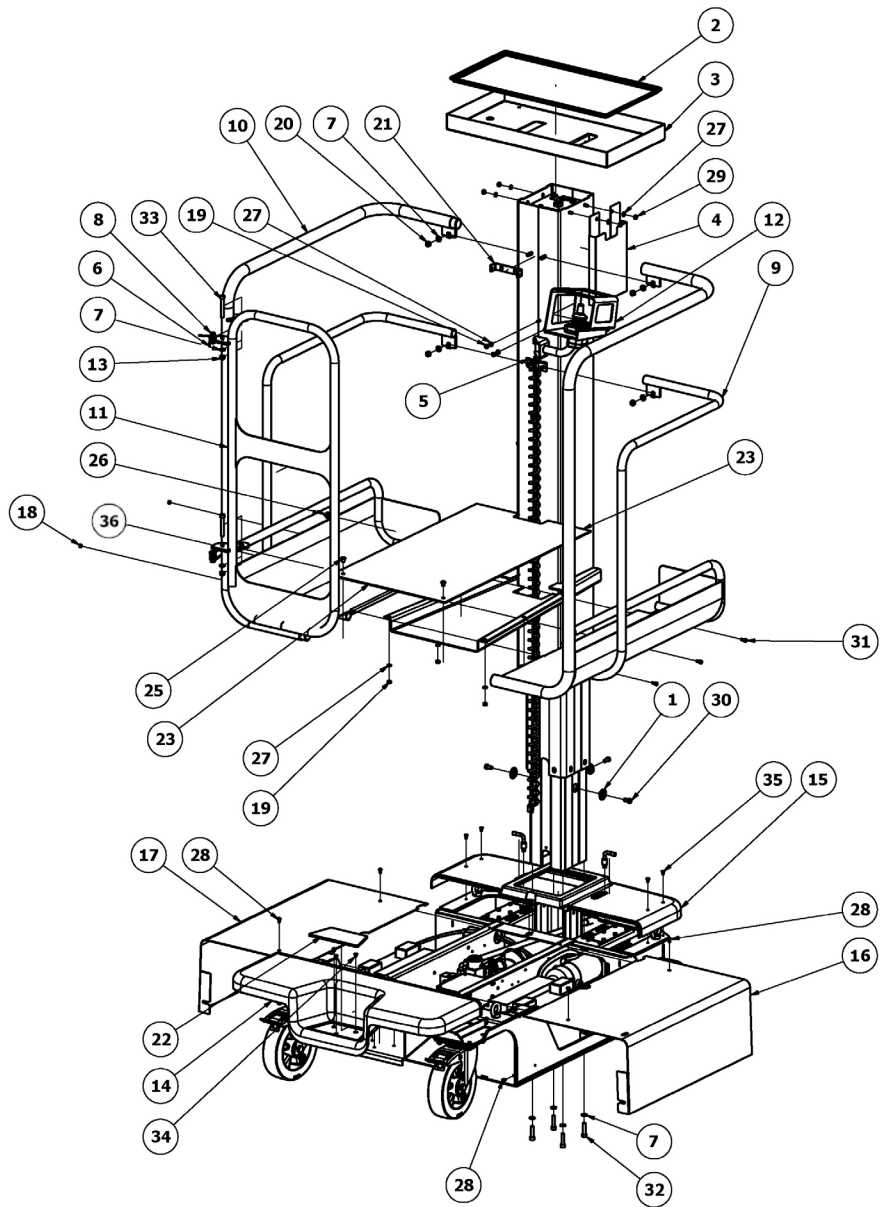
**MA60 / PA60**



**SAFELIFT®**

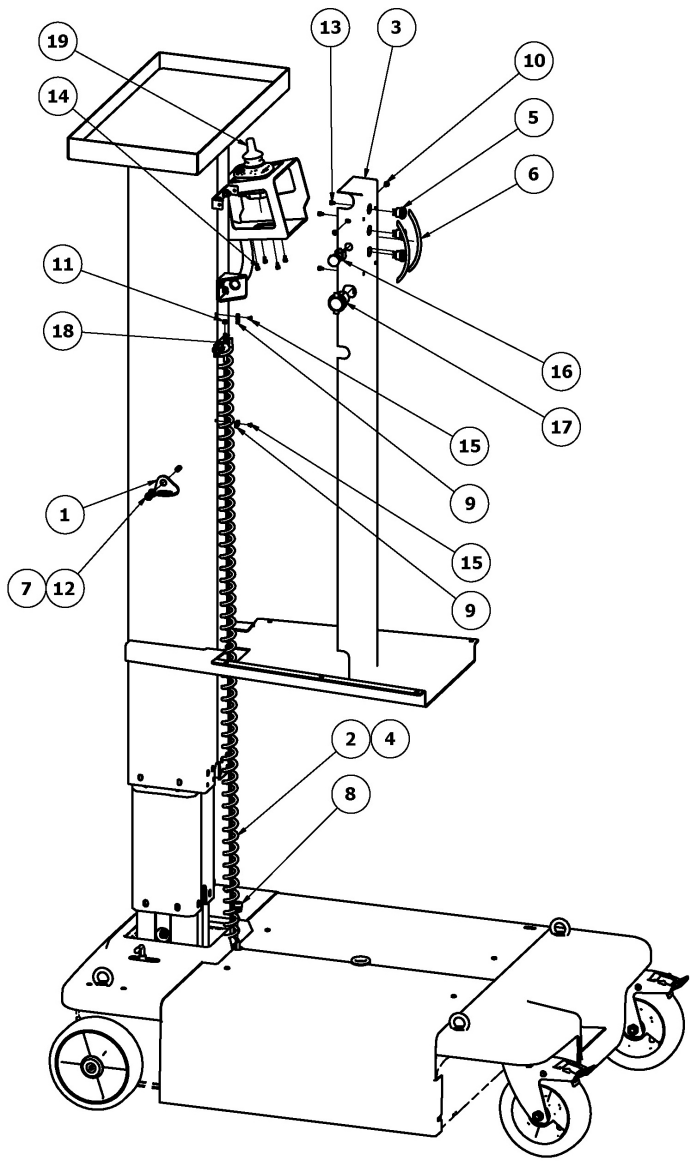
## 1.1 PLATFORM PARTS

ITEM	QTY	PART NUMBER	DESCRIPTION	PRICE EURO
1	3	5010-002-050	Washer	30
2	1	5010-200-005	Tray insert MA50	122
3	1	5010-200-009L	Tray MA50	82
	1	5050-013-000L	Tray MA60	153
4	1	5010-200-010L	Documet holder A5	32
5	1	5010-200-011	Spiral cable bracket	4
6	1	5010-300-002	Spring gate upper	39
7	11	BRB 8,4x16x1,6	Washer HV140 ISO 7089	0,5
8	2	5010-300-003	Sleeve hinge	19
9	1	5010-301L	Platform right side	326
10	1	5010-302L	Platform left side	369
11	1	5010-303L	Gate	290
12	1	5010-309L	Joystick bracket	176
13	3	M8 Nylock DIN985	Locking nut M8	0,5
14	1	5010-400-004	Plastic cover entry	246
15	1	5010-400-006	Pastic cover pillar	246
16	1	5010-400-010HL	Cover Right	115
17	1	5010-400-010VL	Cover Left	114
18	5	M6M - M5	Nut M5	0,5
19	8	M6M - M6	Nut M6	0,5
20	4	M6M - M8	Nut M8	0,5
21	1	5010-400-012	Cover bracket	7
22	1	5010-400-013	Rubber carpet entry	7
23	1	5010-400-014	Rubber carpet	90
25	2	093017059902	Push Rivet	0,5
26	1	STAR1622-258G	Foot - Grupp SC-STAR	0,5
27	12	BRB 6,4x12x1,6	Washer HV140 ISO 7089	0,5
28	8	K6S - M5 x 10	Screw K6S 10.9 FZB ISO 7380-1	0,5
29	4	M6 Nylock DIN985	Lock nut M6	0,5
30	3	MC6LS - M8x16	Screw low M8 x16	0,5
31	3	MC6S - M5x12	Screw M5	0,5
32	4	MC6S - M8x40	Screw M8x40 12.9	0,5
33	2	MC6S - M8x60	Screw M8	0,5
34	3	MF6S - M5 x 8	Screw M5 x 8	0,5
35	4	MF6S - M5 x 10	Screw M5 x 10	0,5
36	1	5010-300-006	Spring gate lower	39



## 1.2 CONTROL PANEL PARTS

ITEM	QTY	PART NUMBER	DESCRIPTION	PRICE EURO
1	1	166	Anchorage point	33
2	1	5010-SPARE-010	Spiral cable MA50 incl r. guide	433
	1	5050-SPARE-010	Spiral cable MA60 incl r. guide	435
3	1	5010-400-009L	Cover	67
4	1	5010-SPARE-011	MA50 rubber guide	91
	1	5050-SPARE-011	MA60 rubber guide	94
5	3	5010-400-022	Push button	40
6	2	10151808	Handle	8
7	11	BRB 8,4x16x1,6	Washer HV140 ISO 7089	0,5
8	1	155-01-168	Pull relief DM 6	2
9	2	FTH-1-01-M	Pull Relief	2
10	2	K6S - M5x8	Screw	0,5
11	2	M5 - Nylock DIN985	Lock nut M5	0,5
12	3	M8 - Nylock DIN985	Locking nut M8	0,5
13	4	MC6S - M4x6	Screw M4	0,5
14	4	MC6S - M4x8	Screw M4	0,5
15	2	MF6S - M4x6	Screw M4x6 10.9	0,5
16	1	5010-400-023	Emergency button complete	103
17	1	SCIA13-194BPS	USB connector double	32
18	5	M6M - M5	Nut M5	0,5
19	1	378712002	Joystick	358



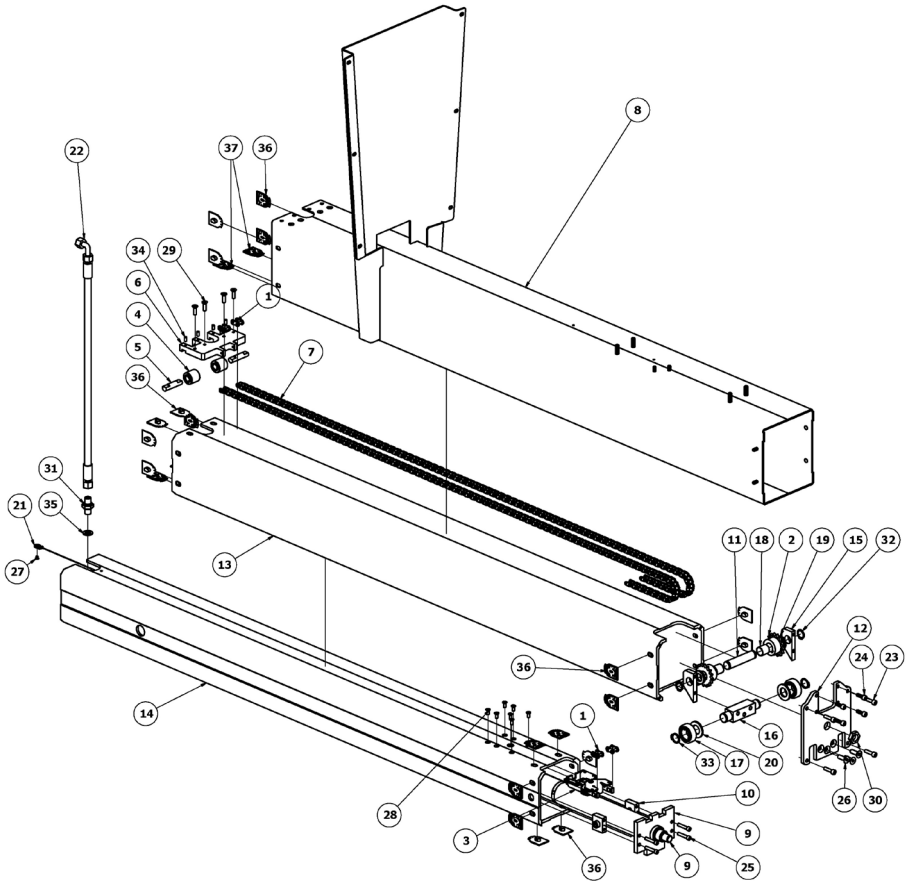
## 1.3 LIFT PILLAR PARTS MA50



**NOTE! Spare parts to the lift pillar is only sold to authorized service personnel, educated by Safelift!**

Contact Safelift: [service@safelift.se](mailto:service@safelift.se) for further action.

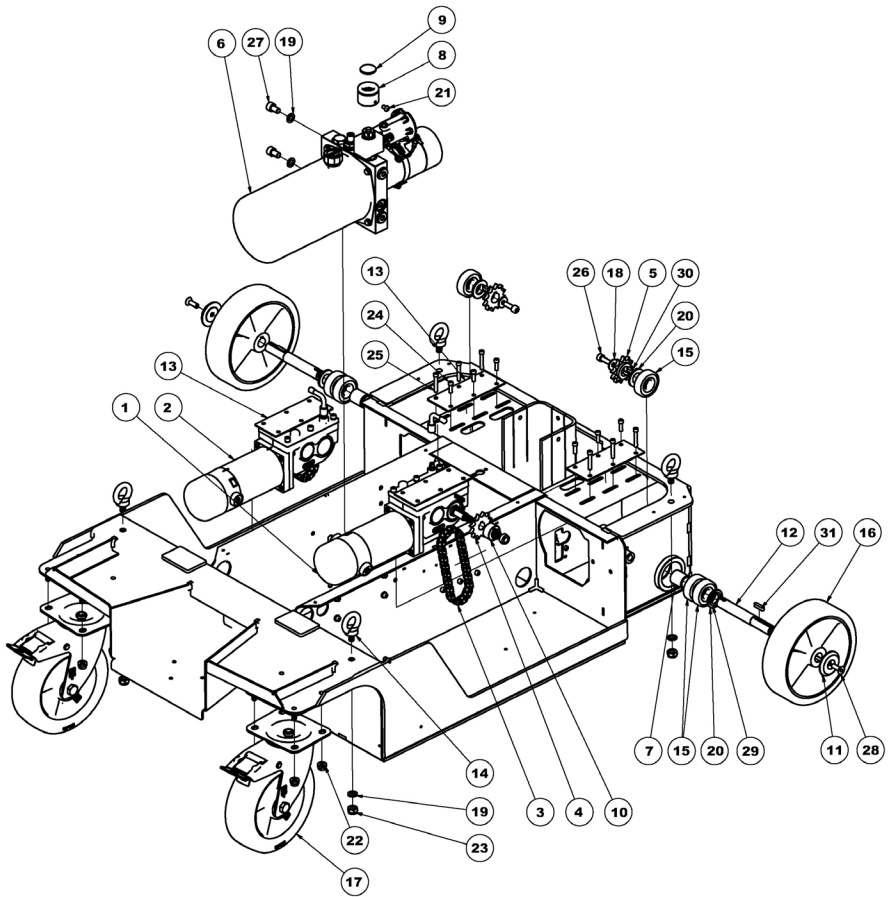
ITEM	QTY	PART NUMBER	DESCRIPTION	PRICE EURO
1	4	24RS06B1	Chain lock	7
2	2	1250-001-020	Sprocket wheel	78
3	1	5010-DEL-035	Inner chain bracket	336
4	2	5010-002-221	Support roller	20
5	2	5010-002-222	Shaft support roller	21
6	1	5010-002-225	Outer chain bracket	91
7	2	5010-167	Chain MA50	148
8	1	5010-200L	Pillar MA50	560
9	1	5010-500	Hydraulic cylinder MA50	659
10	2	5010-500-006	Pivot bracket	57
11	1	5011-001-016	Shaft	31
12	1	5100-001-001	Plate outer profile segment	49
13+14	1	TA-23-1300-1508	Pillar segments compl. MA50	1028
15	2	5100-001-004	Support shaft	42
16	1	5100-001-030	Bearing holder	67
17	2	6004 ZZ	Ball bearing	4
18	2	40300001	Bushing PCM 182020 E	15
19	2	BRB 18x30x4	Washer	0,5
20	2	BRB 21x37x3	Washer	0,5
21	1	FTH-1-01-M	Pull relief	2
22	2	5200-810-025	Hydraulic hose	58
23	4	MC6S - M6 x 25	Screw M6x25 12.9	0,5
24	4	MC6S - M6x20	Screw M6x20 12.9	0,5
25	4	MC6S - M6x30	Screw M6x30 12.9	0,5
26	3	MF6S - M8 x 25	Screw M8 x 25 10.9	0,5
27	1	MF6S - M4x6	Screw M4x6 10.9	0,5
28	7	MF6S - M5x12	Screw M5x12 10.9	0,5
29	4	MF6S - M6x20	Screw M6x20 10.9	0,5
30	1	MLM - M16	Nut low M16	0,5
31	1	5200-810-046	Hydraul Nipple G1/4"-G1/4"	28
32	2	SGA 18	Retaining ring	1
33	2	SGA 20	Retaining ring	1
34	4	SK6SS - M5x10	Screw M5	0,5
35	1	5200-810-047	Tredo Washer 1/4"	2
36	24	1000-100-056	Sliding Bearing 38x2,0	2
37	2	1000-100-051	Sliding Bearing 38x1,7	2



## 1.4 CHASSIS PARTS

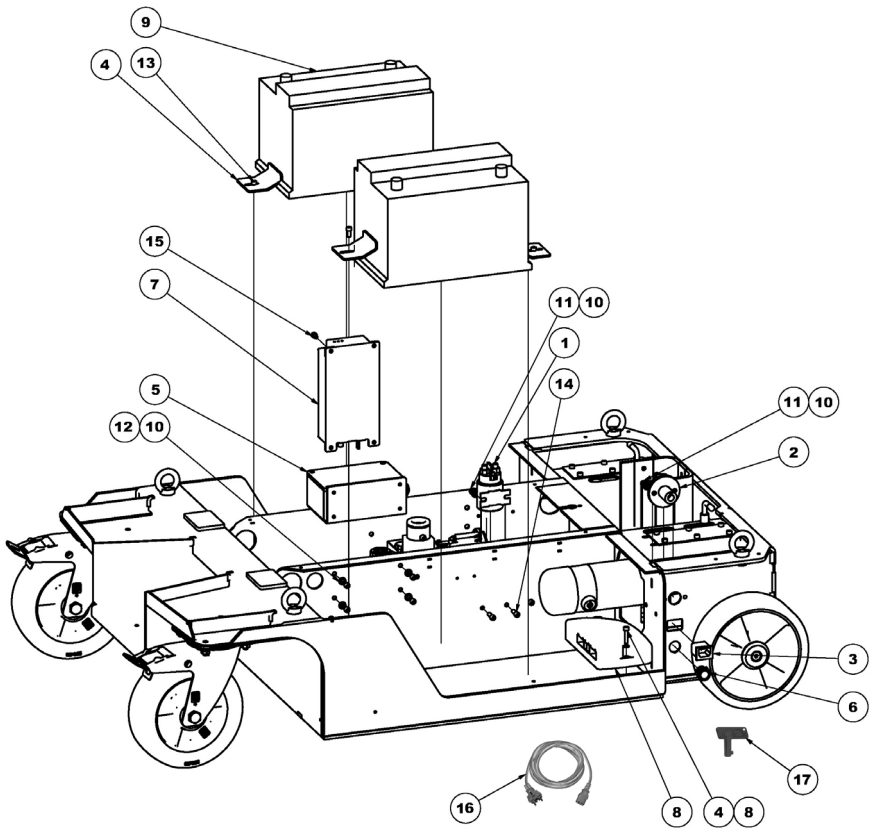
ITEM	QTY	PART NUMBER	DESCRIPTION	PRICE EURO
1	1	5010-DEL-040	Motor and gear right side	499
2	1	5010-DEL-045	Motor and gear left side	525
3	2	08B1-RULLKEDJA-1	Chain	10
4	2	08B112 1/2	Sprocket wheel	17
5	2	08B112_20	Sprocket wheel	13
6	1	8WEBCSPN02	Hydraulic power pack	578
7	2	5010-100-108	Bearing spacer	10
8	1	5010-100-109	Sleeve emergency lowering	35
9	1	010-100-110	Rubber membrane	5
10	2	5010-400-002	Spacer sprocket wheel	18
11	2	5010-400-020	Wheel washer	33
12	2	5010-400-102	Drive shaft	80
13	4	5010-600-001	Washer motor	4
14	1	5010-ACC-010	Lifting loops (4pcs) assembly kit	208
15	6	6304 ZZ	Bearing	7
16	2	241509	Drive wheel	115
17	2	245664	Rear wheel grey	191
18	2	BRB 8x22x1,5	Washer	0,5
19	6	BRB 10,5x18x1,6	Washer HV140 ISO 7089	0,5
20	4	BRB 21x37x3	Washer	0,5
21	1	K6S M6x10	Screw	0,5
22	8	M6MF M8	Nut flange M8	0,5
23	4	M10 Nylock DIN985	Locking nut M10	0,5
24	6	MC6S - M6x18	Screw M6x18 12.9	0,5
25	6	MC6S - M6x35	Screw M6x35 12.9	0,5
26	2	MC6S - M8x25	Screw M8x25 10.9	0,5
27	2	MC6S - M10x16	Screw M10x16	0,5
28	2	MF6S - M8 x 25	Screw M8 x 25 10.9	0,5
29	4	PB Shims 20x28x0,2	Shims	0,5
30	2	RK 6x6x14	Wedge 6x14	0,5
31	2	RK 6x6x25	Wedge 6x25	0,5





## 1.5 ELECTRIC PARTS CHASSIS

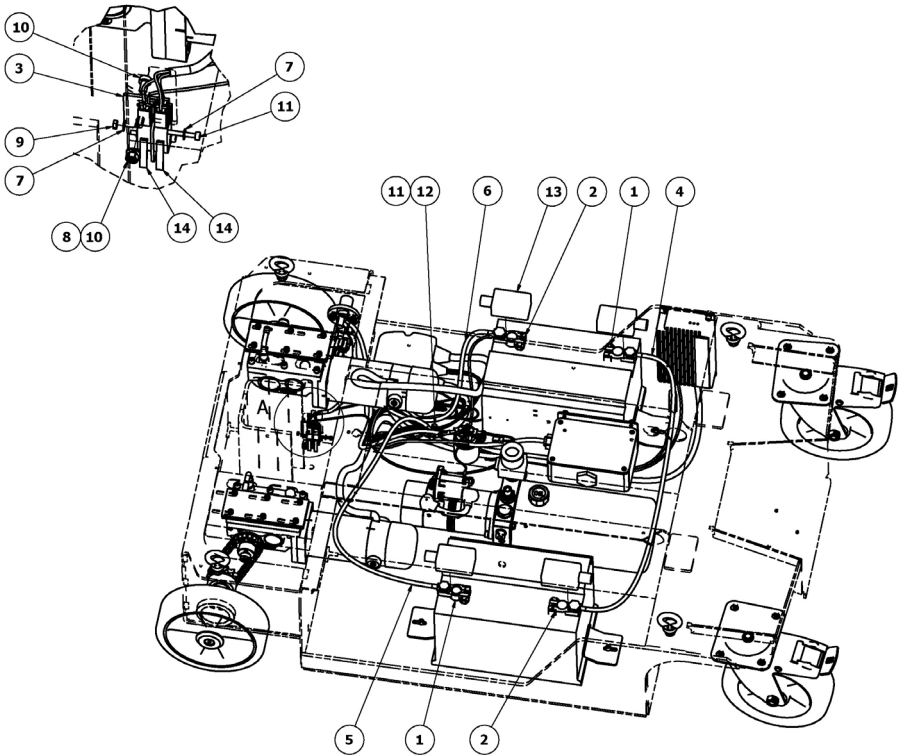
ITEM	QTY	PART NUMBER	DESCRIPTION	PRICE EURO
1	1	4RA377504011	Relay	260
2	1	6EK002843013	Main switch	57
3	1	143-21-147	Connector C14	4
4	4	5010-100-015	Clamp battery	6
5	1	5010-100-060	Tilt sensor T1	546
6	1	5010-400-022	Push button complete	40
7	1	924215-507	Battery charger 24V	414
8	1	378662001	Control box	3660
9	2	930080080B912	Battery DC 12V 80 Ah	220
10	8	BRB 6,4x12x1,6	Washer HV140 ISO 7089	0,5
11	6	M6M - M6	Nut M6	0,5
12	4	MC6S - M6x8	Screw M6x8	0,5
13	4	MC6S - M6x12	Screw M6x12	0,5
14	3	MC6S - M6x16	Screw M6x16	0,5
15	2	MC6S - M6x10	Screw M6x10	0,5
16	1	29010072	Power Cable 2,5m	11
17	2	9SL706729011	Main Power Key	13



## 1.6 BATTERY PARTS

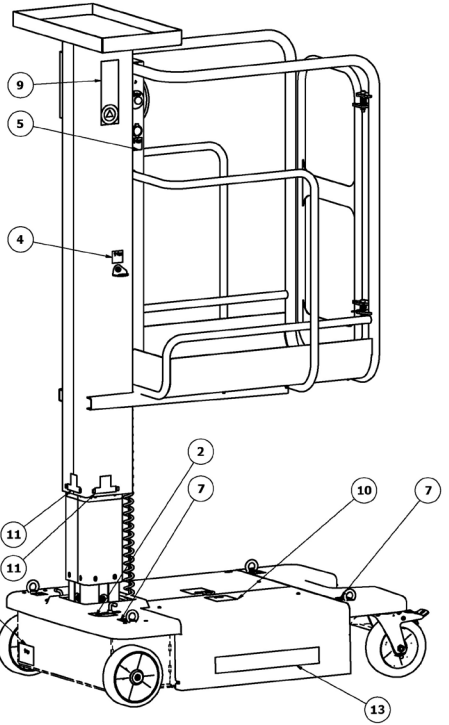
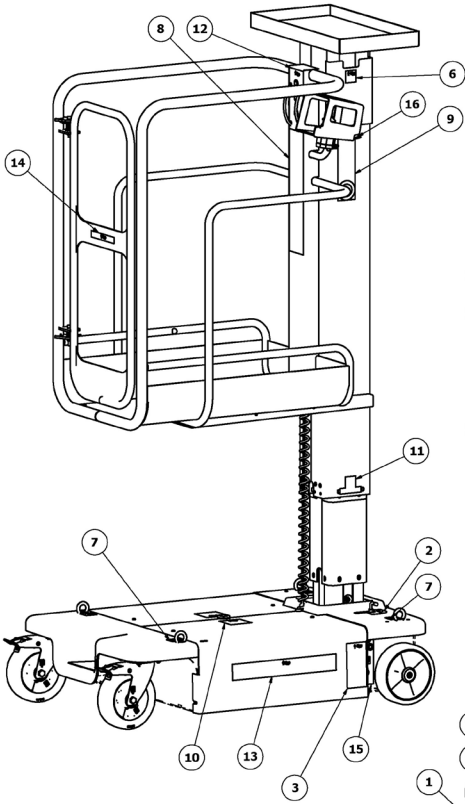
ITEM	QTY	PART NUMBER	DESCRIPTION	PRICE EURO
1	2	8KX707913001	Battery terminal -	16
2	2	8KX707913011	Battery terminal +	16
3	1	5100-DEL-004	Pillar double switch complete	108
4,5,6	1	5000-903-002	Battery cable kit	146
7	4	BRB 3,3x6,6x0,5	Washer HV140 ISO 7089	0,5
8	3	BRB5,3x10x1	Washer	0,5
9	2	M6M - M3	Nut M3	0,5
10	1	M6M - M5	Nut M5	0,5
11	2	MC6S - M3x30	Screw M3x30	0,5
12	1	MC6S - M6x25	Screw M6x25	0,5
13	4	TB5005	Terminal cover	7
14	2	XGG2-88-J26Z1	Micro switch	30

A (1:2)



## 1.7 DECALS

ITEM	QTY	PART NUMBER	DESCRIPTION	PRICE EURO
1	1	5010-900-001	Decal CE and serial no MA50	36
	1	5010-900-002	Decal CE and serial no PA50	36
	1	5050-900-001	Decal CE and serial no MA60	36
	1	5050-900-002	Decal CE and serial no PA60	36
2	2	5010-100-021	Decal Connecting/disc motors	5
3	1	5010-100-026	Decal (Expired)	3
4	1	5010-100-028	Decal Safety harness	3
5	1	5010-100-029	Decal USB	3
6	1	5010-100-030	Decal Original instructions	3
7	4	5010-100-031	Decal Lifting loops	3
8	1	5010-100-032	Decal platform SWEDISH	10
	1	5010-100-033	Decal platform ENGLISH	10
	1	5010-100-034	Decal platform FINNISH	10
	1	5010-100-035	Decal platform GERMAN	10
	1	5010-100-036	Decal platform FRENCH	10
	1	5010-100-037	Decal platform DUTCH	10
	1	5010-100-038	Decal platform NORWEGIAN	10
	1	5010-100-039	Decal platform DANISH	10
	1	5010-100-040	Decal platform SPANISH	10
	1	5010-100-059	Decal platform CZECH	10
	1	5010-100-084	Decal platform ITALIAN	10
	1	5010-100-092	Decal platform POLISH	10
9	2	5010-100-041	Decal MA50	5
9	2	5010-100-071	Decal MA60	4
10	2	5010-100-050	Decal Emergency lowering	5
11	3	5010-100-054	Decal Pinching hand and foot	5
12	1	5010-100-055	Decal Control panel platform	7
13	2	5010-100-056	Decal Logo Safelift L=395mm	6
14	1	5010-100-057	Decal Logo Safelift L=150mm	5
15	1	5010-100-058	Decal Control panel chassis	6
16	1	5010-100-061	Decal Joystick	7





**SAFELIFT®**

 Made in Sweden

**ADDRESS**  
Låglyftar i Sverige AB  
Kvarnvägen 14  
SE-352 41 Växjö  
Sweden

**WEBSITE**  
[www.safelift.se](http://www.safelift.se)

**E-MAIL**  
[service@safelift.se](mailto:service@safelift.se)